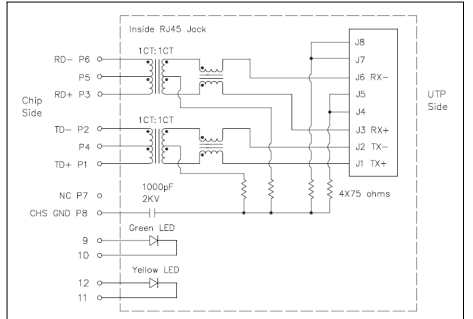
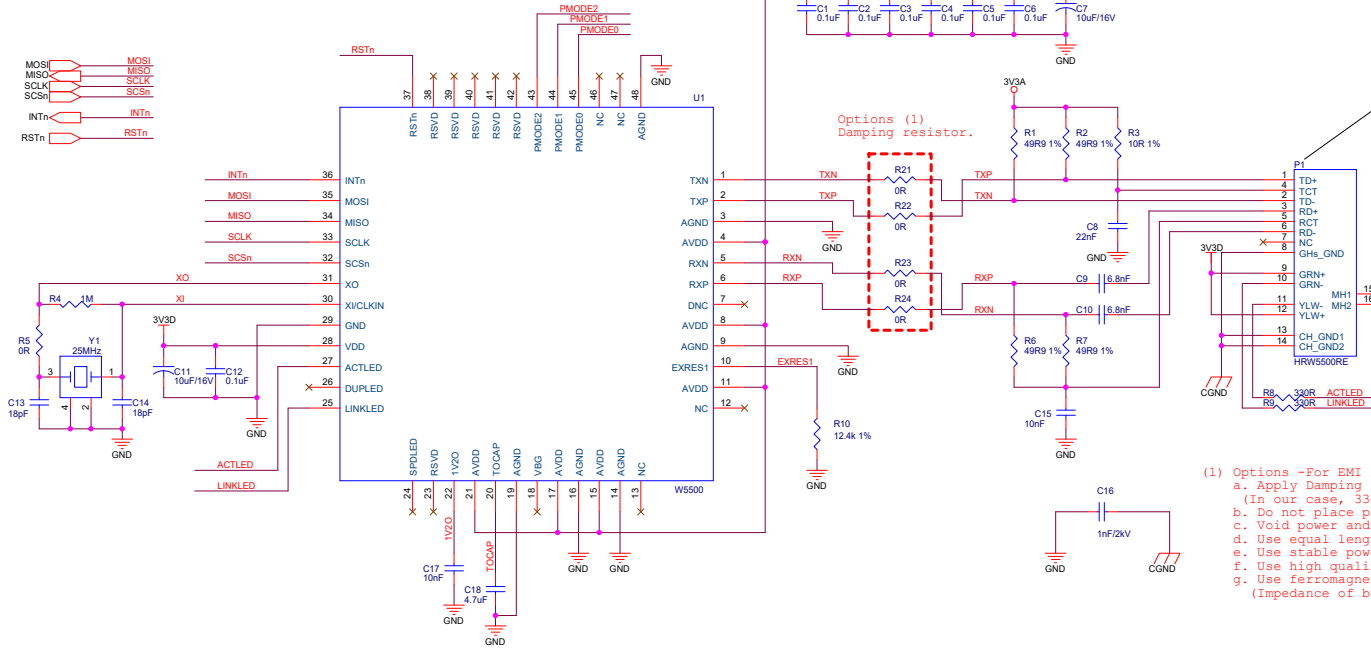


PMODE [2:0]			Description
2	1	0	
0	0	0	10BT Half-duplex, Auto-negotiation disabled
0	0	1	10BT Full-duplex, Auto-negotiation disabled
0	1	0	100BT Half-duplex, Auto-negotiation disabled
0	1	1	100BT Full-duplex, Auto-negotiation disabled
1	0	0	100BT Half-duplex, Auto-negotiation enabled
1	0	1	Not used
1	1	0	Not used
1	1	1	All capable, Auto-negotiation enabled



RJ45 WITH MAGNETICS

- (1) Options -For EMI reduction.
- Apply Damping resistors. (In our case, 33ohm was best for EMI reduction.)
 - Do not place power jack nearby RJ-45 connector.
 - Void power and ground planes under discrete magnetic components.
 - Use equal length differential MDI (Medium Dependent Interface) signal traces.
 - Use stable power source.
 - Use high quality CAT5E.
 - Use ferromagnetic bead between digital vdd and analog vdd. (Impedance of between 100 and 2000 ohms at 100MHz is adequate.)